

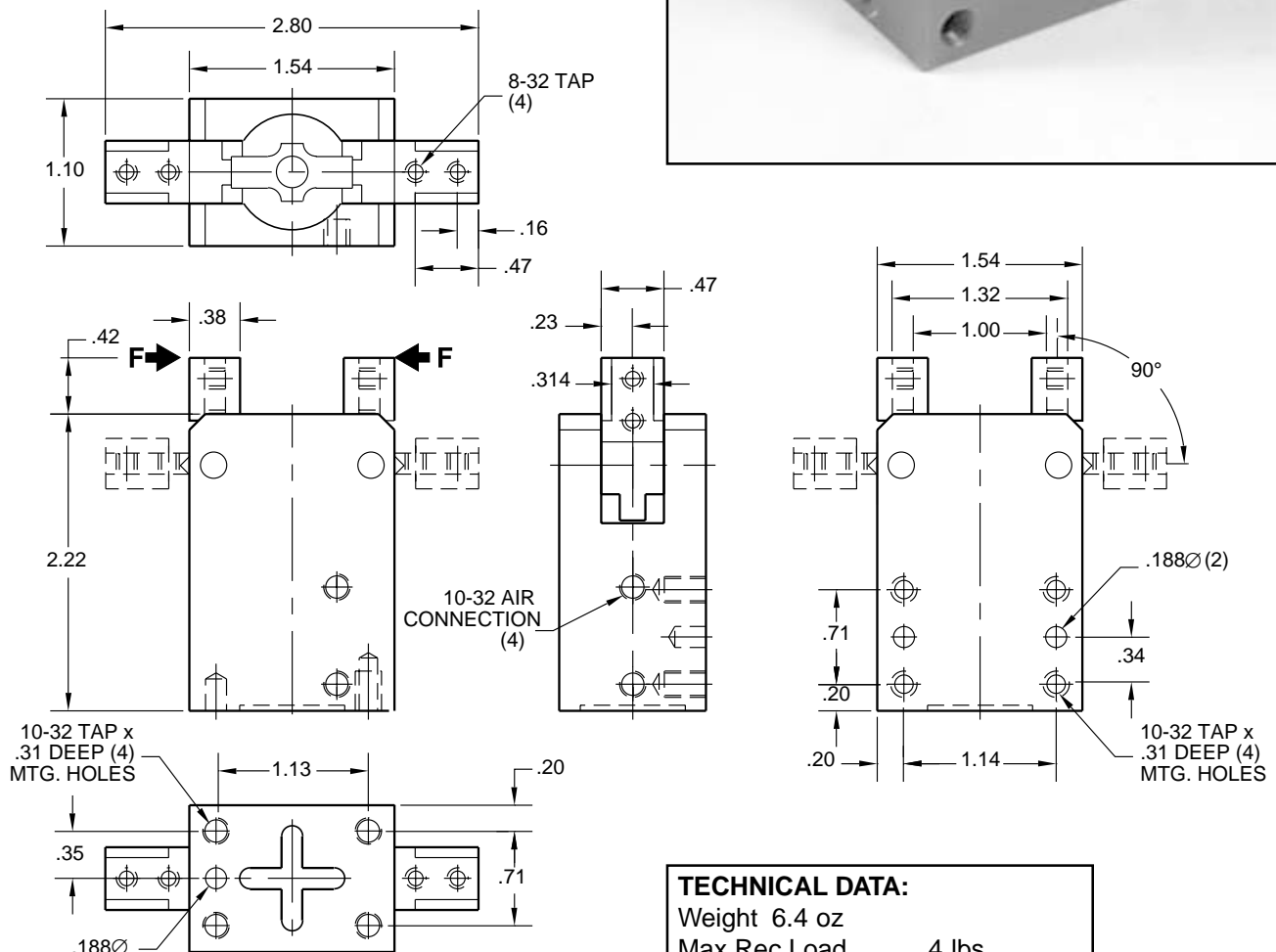
# Gripper Toggle Joint Wide Open Radial Double Acting Self-Locking



## BG-T2

These radial action grippers allow both fingers to simultaneously open 90 degrees from their closed position. They reach their maximum gripping force at the extreme open and closed position. Due to the toggle design and double acting cylinders, the grippers mechanically lock in the full closed position.

Steel fingers are drilled and tapped for your tooling. Gripper body is anodized aluminum.



TECHNICAL DATA:	
Weight	6.4 oz
Max Rec Load	4 lbs
Force @ 80 PSI	9.7 lbs @ F
Operating Pressure	60-100 PSI