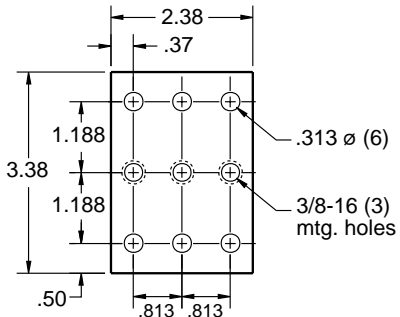
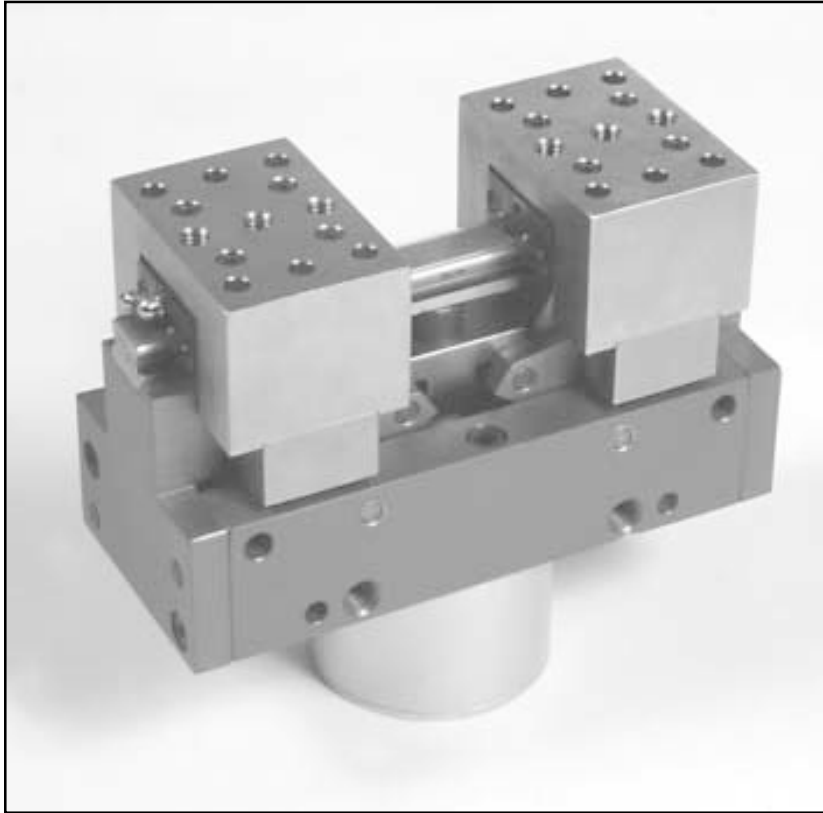
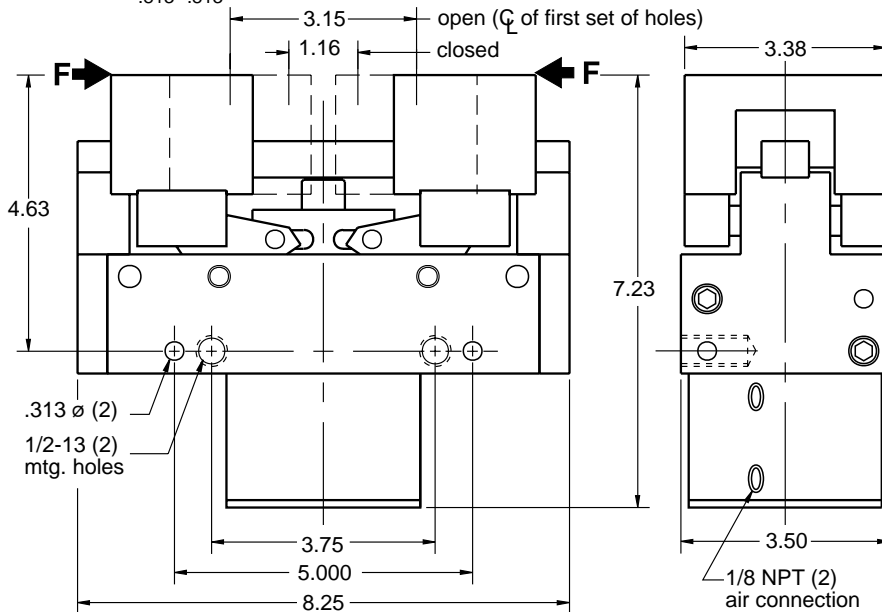


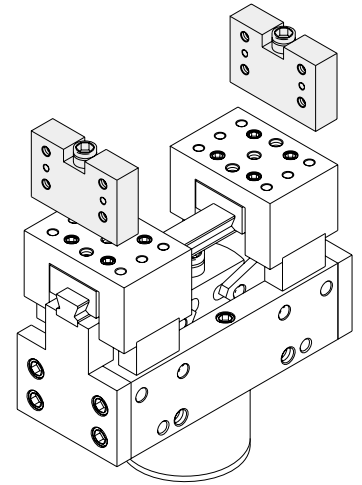
### B-4TPX



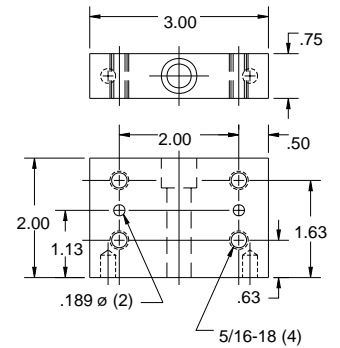
TECHNICAL DATA:	
Weight	14 lbs
Max Rec. Load	50 lbs
Force @ 80 psi	120 lbs @ F
Operating Pressure	60-100 PSI



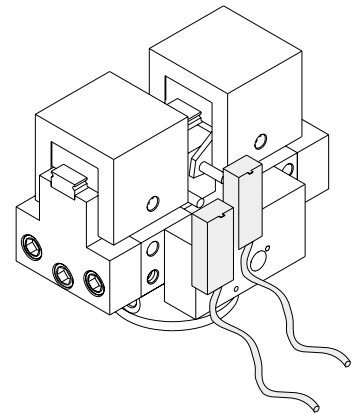
### Accessories



Upright ground steel jaws for mounting tooling



J1-4 jaw for B-4TPX (bolts & pins included)



Proximity sensors preassembled for open & closed positions (see page 33)