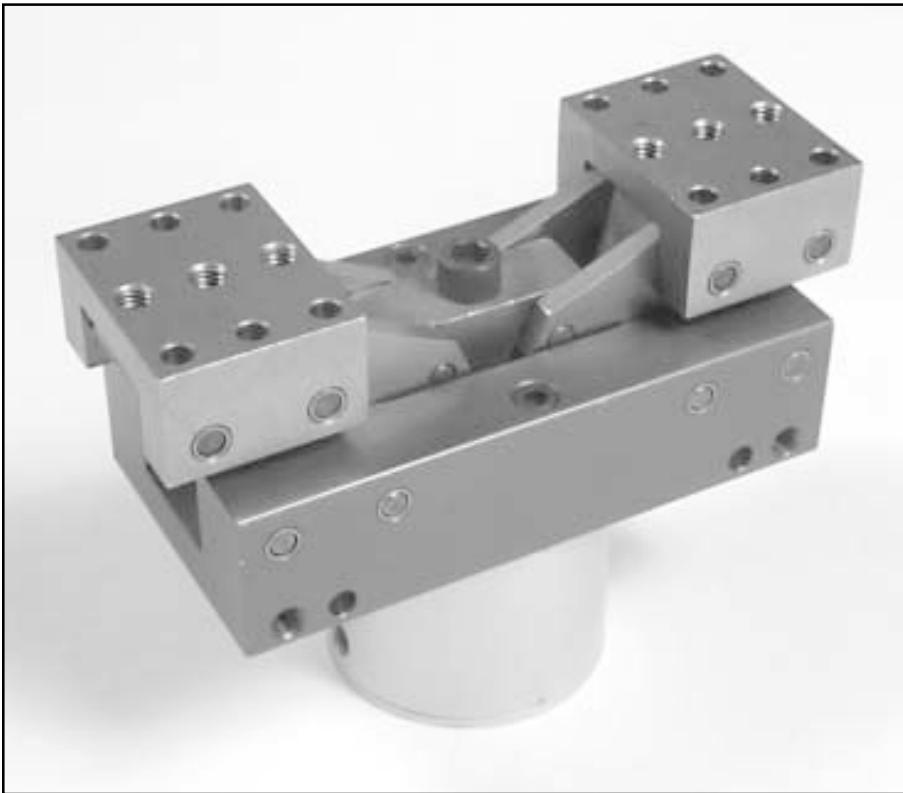
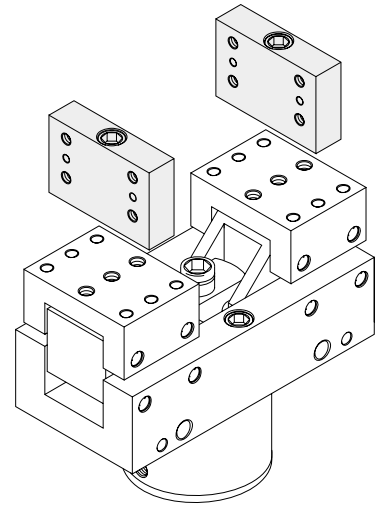


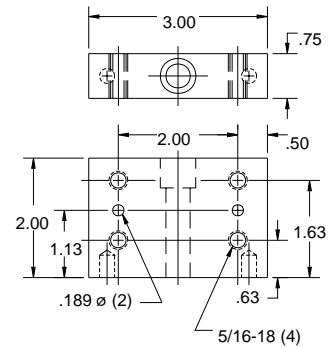
### B-4P



### Accessories

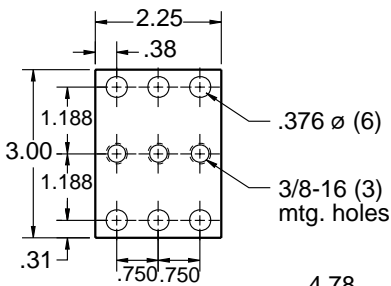


Upright ground steel jaws  
for mounting tooling

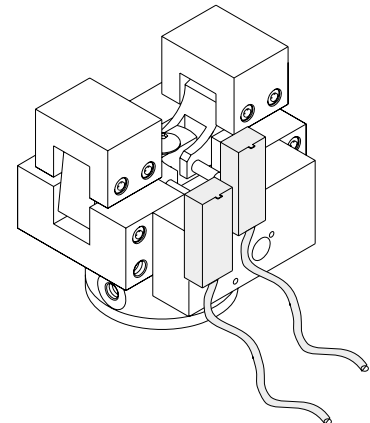


#### TECHNICAL DATA

Weight	10 lbs
Max Rec. Load	50 lbs
Force @ 80 psi	120 lbs @ F
Operating Pressure	60-100 PSI



**J1-4 jaw for B-4P**  
(bolts & pins included)



Proximity sensors  
preassembled for  
open & closed positions  
(see page 33)

