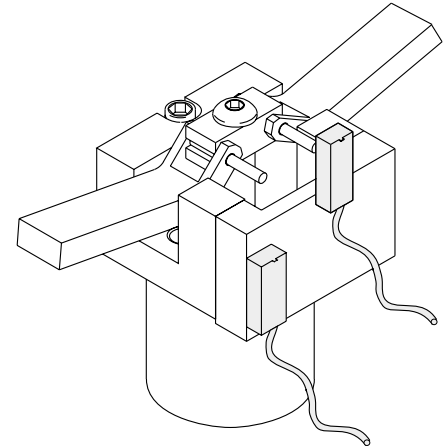


# Gripper

## WIDE OPENING RADIAL MOTION Double Acting



**B-3W**



Proximity sensors  
preassembled for  
open & closed positions  
(see page 33)

**TECHNICAL DATA:**

Weight	3.5 lbs
Max Rec. Load	18 lbs
Force @ 80 psi	55 lbs @ F
Operating Pressure	60-100 PSI

