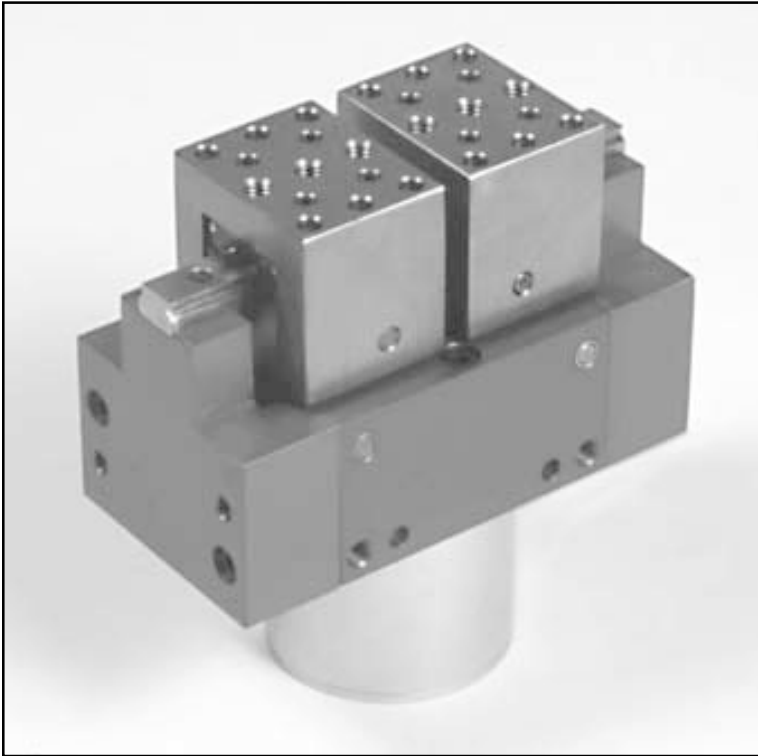
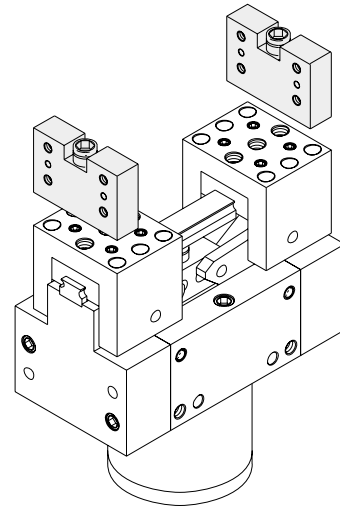


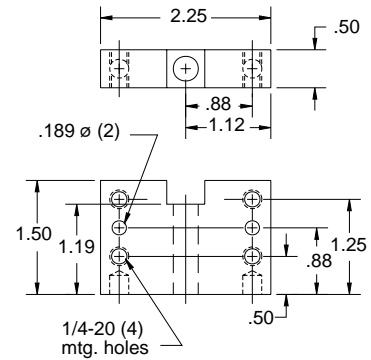
### B-3TPX



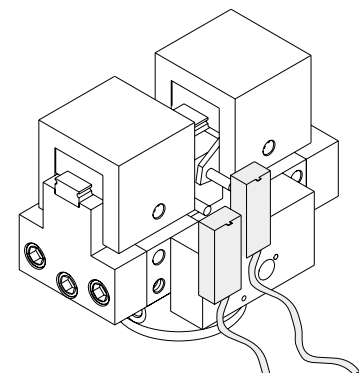
### Accessories



Upright ground steel jaws  
for mounting tooling



**J1-3** jaw for B-3TPX  
(bolts & pins included)



Proximity sensors  
preassembled for  
open & closed positions  
(see page 33)

#### TECHNICAL DATA:

Weight	7 lbs
Max Rec. Load	30 lbs
Force @ 80 psi	80 lbs @ F
Operating Pressure	60-100 PSI

