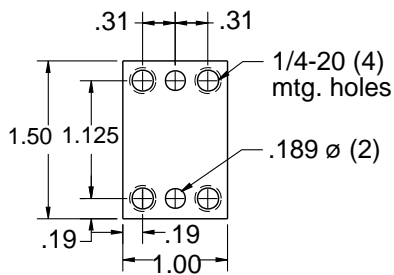
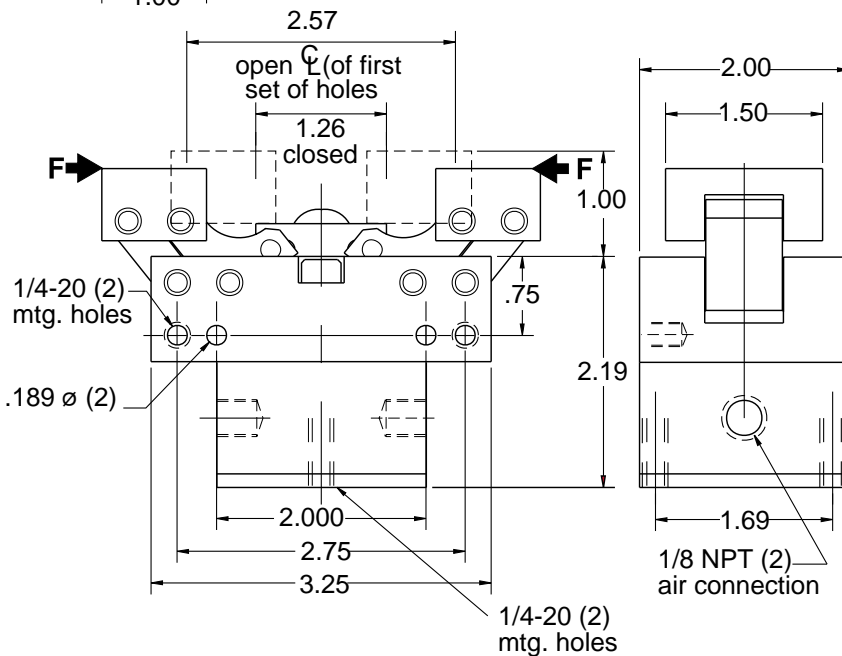


B-2P

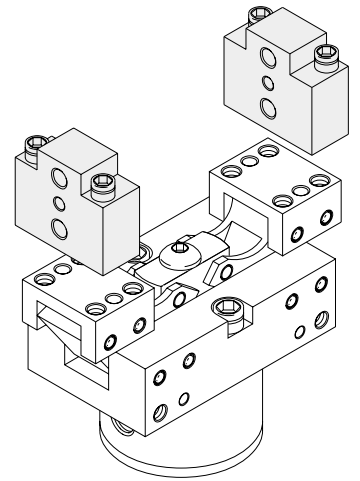


TECHNICAL DATA

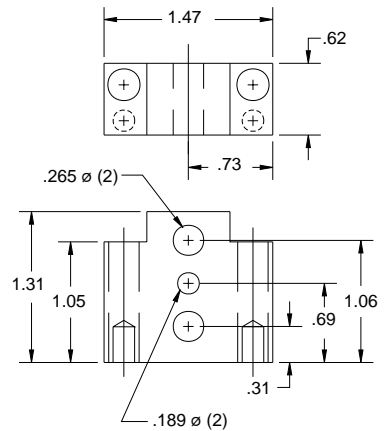
Weight	1.7 lbs
Max Rec. Load	12 lbs
Force @ 80 psi	40 lbs @ F
Operating Pressure	60-100 PSI



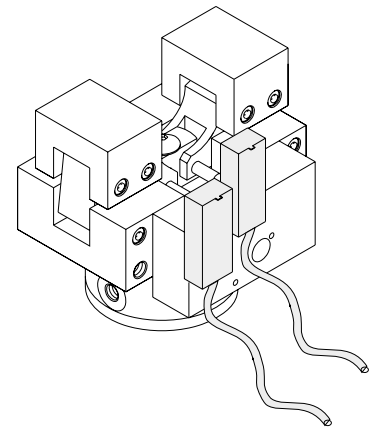
Accessories



Upright ground steel jaws
for mounting tooling



J1-2 jaw for B-2P
(bolts & pins included)



Proximity sensors
preassembled for
open & closed positions
(see page 33)