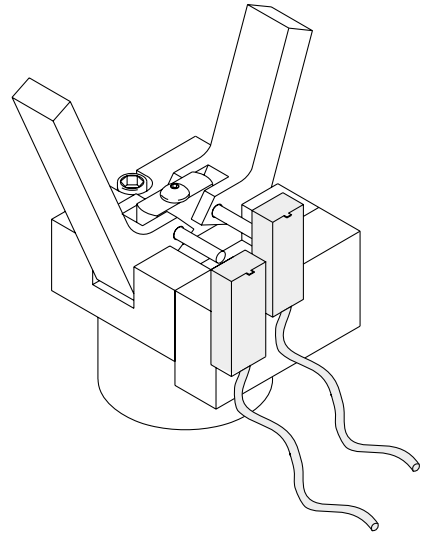


Gripper

RADIAL MOTION
Double Acting



B-1S



Proximity sensors
preassembled for
open & closed positions
(see page 33)

TECHNICAL DATA:

Weight	8 oz.
Max Rec. Load	2 lbs
Force @ 80 psi	8 lbs @ F
Operating Pressure	60-100 PSI

