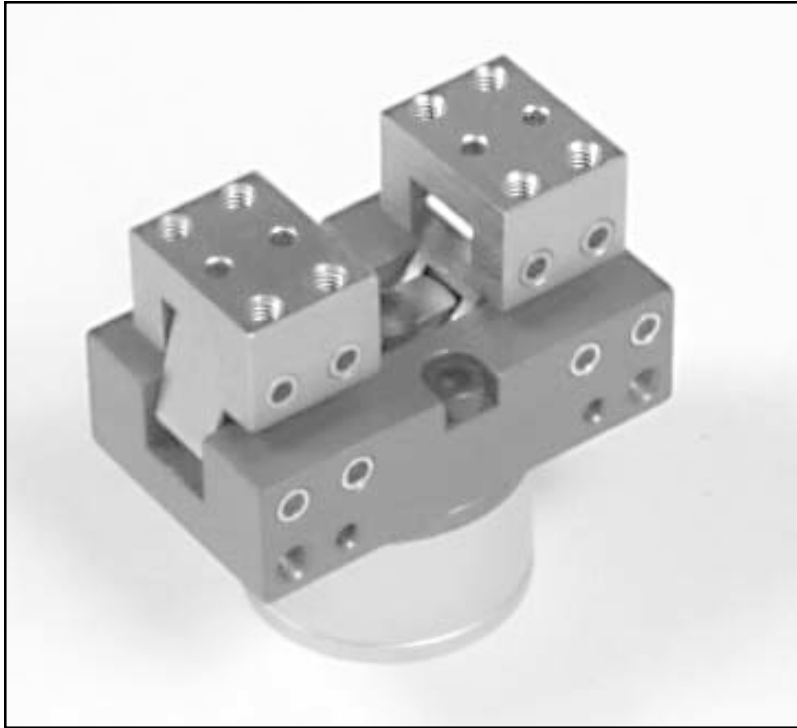
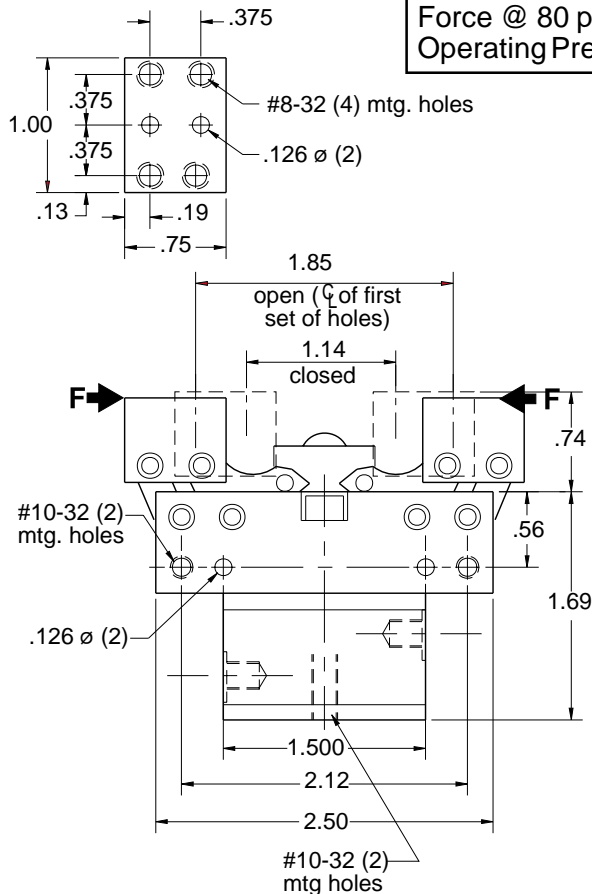


B-1P

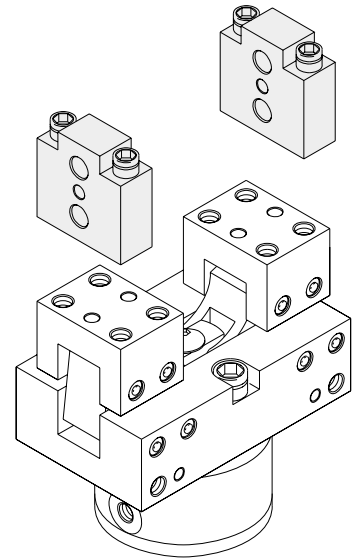


TECHNICAL DATA

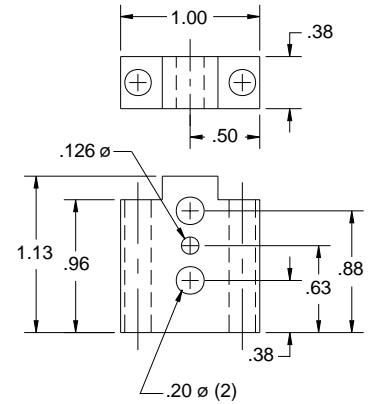
Weight	14 oz.
Max Rec. Load	5 lbs
Force @ 80 psi	20 lbs @ F
Operating Pressure	60-100 PSI



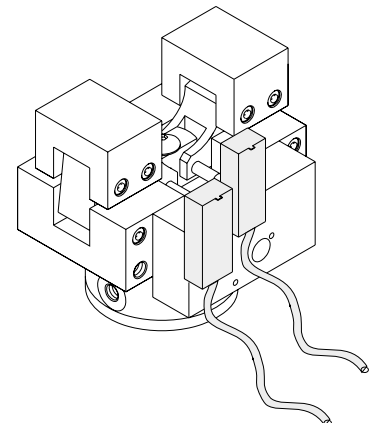
Accessories



Upright ground steel jaws for mounting tooling



J1-1 jaw for B-1P
(bolts & pins included)



Proximity sensors preassembled for open & closed positions (see page 33)